

3. Connection instruction:

- 1). Connect HDMI input with HDMI output of source device.
- 2). Connect IR blaster extension cable to the IR extender out port.
- 3). Connect RJ45 port with RJ45 input port of HDMI extender RX.
- 4). Connect HDMI output of HDMI extender RX to HDMI input of HDTV and set the TV source input to correct HDMI input channel.
- 5). Power on the device (power indicator led lights) and it works.

• FAQ

Q: TV display "waiting for connection" on the bottom right corner?

A: 1) Please check if the power supply of the unit (sender) and RX(receiver) is well connected and the power indicator led lights on.
2) Make sure all cables are firmly connected.

Q: TV display "Please check the TX input signal" ?

A: 1) please check if there is An HDMI signal input of the unit
2) Try to connect the signal source directly to display device to see if there is signal output from source device or change the signal source, HDMI cables and try again.

Q: Display not fluent and stable?

A: 1) Please check the cable length between the unit(sender) and RX (receiver) is within the required range.
2) Press "reset" button on the unit/RX panel, reset and reconnect.

• Specification

Items	Specification
HDMI signal	Compatible with HDCP
Transport protocol	HDBiT
Support resolutions	480i@60Hz, 480p@60Hz, 576i@50Hz, 576p@50Hz, 720p@50/60Hz, 1080i@50/60Hz, 1080p@50/60Hz
Transmit distance	Up to 120meters transmission distance for 1080p 60Hz full HD over single CAT6

IR signal	Support 20~60kHz IR device
Input	1 x HDMI
Output	2 x RJ45
Connection indicator leds	2 x LED
Working temperature	0°C ~ 60°C
Power supply	5V2A
Power Consumption	<10W
Dimension	252X97.5X25mm
Weight	590g
Color	Black

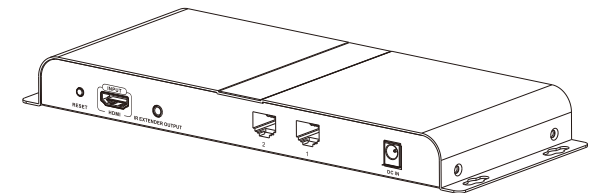
Disclaimer

The product name and brand name may be registered trademark of related manufacturers. TM and ® may be omitted on the user manual. The pictures on the user manual are just for reference, and there may be some slight difference with the real products.

We reserve the rights to make changes without further notice to a product or system described herein to improve reliability, function or design.

HDBiT 1 to 2 HDMI Extender Splitter

User manual



Important Safety Notes:

1. Do not plug-in/out the network cables and IR cables when it is in using.
2. Use DC5V only. Make sure the specification matched if using 3rd party DC adapters.

• Introduction

This product combines the extension and distribution functions to split 1 HDMI signal to 2 identical HDMI signals via network cable and it is used as a sender to work with 2 receivers to transmit these 2 HDMI signals up to 120meters.

With the IR signal transmission to control the source device operation in long distance, it is widely applied in HD audio visual display room, HDTV, Set top box, DVD etc exhibition center and digital monitoring system.

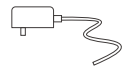
• Features:

1. Based on HDBiT technology, more stable performance
2. Distribute 1 HDMI source to 2 HDMI displays by connecting with HDBiT HDMI extender receivers
3. Extend HDMI signal up to 120m over CAT6 cable
4. Support full HD resolution 1080p@60Hz
5. Support IR passback
6. Plug and play, use easily
7. Convenient wall-mountable design

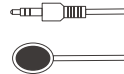
• Package contents



HDMI extender TX*1



5V2A power adapter*1



IR blaster extension cable *1

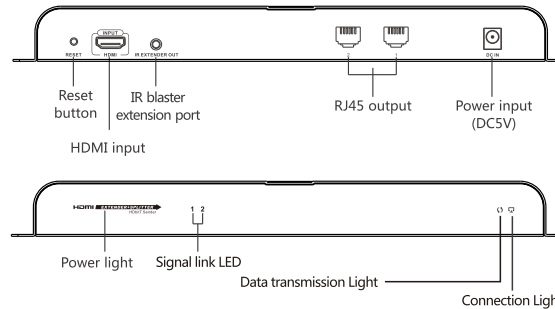


User manual *1

• Installation Requirement

1. HDMI source device (computer graphics card, DVD, PS3, HD monitoring equipment etc)
2. HDMI display device like SDTV, HDTV, and projector with HDMI port.
3. HDMI extender RX which supports HDBiT transport protocol
4. UTP/STP cat5/5e/6 cable, follow standard IEEE-568B
Network cable length supported between every connection:
CAT5 80m
CAT5E 100m
CAT6 120m

• Panel description



• Connection and operation

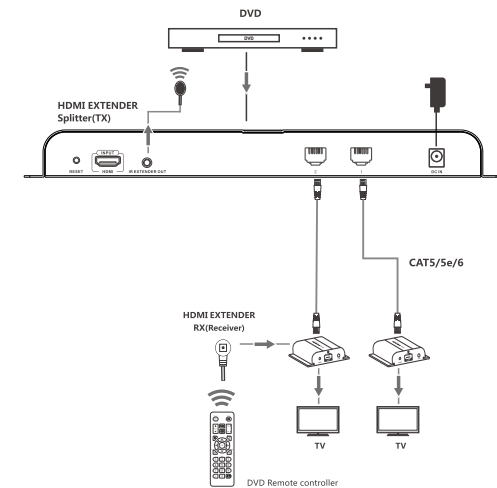
1. network cable

Follow the standard of IEEE-568B:

- | | |
|----------------|---------------|
| 1-Orange/white | 5-Blue/white |
| 2-Orange | 6-Green |
| 3-Green/white | 7-Brown/white |
| 4-Blue | 8-Brown |



2. Connection



[NOTE] : This extender splitter unit realizes extension and distribution functions by match with a HDBiT HDMI receivers